

Wireless Alarm Interface

The Wireless Kit is a 5 channel receiver used as an interface to an existing alarm panel. The system has 5 common positive, common negative or voltage free relay outputs that may be programmed.

Operation

Triggering one of the wireless devices will pulse the associated relay. Up to a combination of 100 devices and remote controls may be learned.

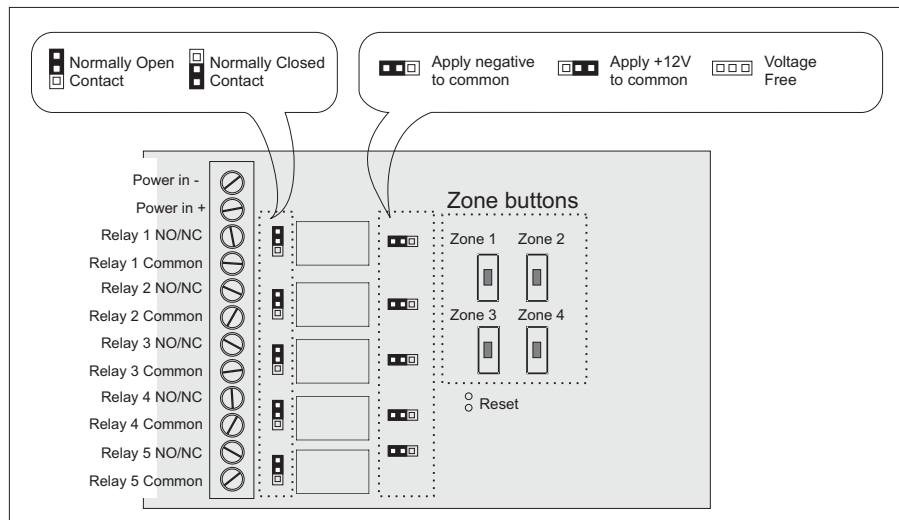
A tamper condition on the wireless motion sensor will also cause the associated relay to pulse.

Battery low operation

A battery low condition will be indicated by the buzzer sounding for 5 seconds once a battery low signal is received. To enable or disable this feature, power up the unit holding down zone buttons 3 & 4 simultaneously until the LEDs start to flash. On releasing the buttons either 1 or 2 beeps will be heard indicating either disabled or enabled respectively

Panic operation

Press button 1 on remote control to pulse relay 5 (panic relay)



Programming

To add a new device

1. Press and hold the on-board zone number button until the associated red light turns on
2. Transmit from device or cause it to activate.
3. Successful programming is indicated by the LED turning off and a beep from the buzzer

To add a remote (panic)

1. Press and hold zone button 1 and zone button 2 until both red lights turn on
2. Transmit from the remote control
3. Successful programming is indicated by both LEDs turning off

To reset/clear all codes

1. Short out the 2 holes below button 3 until all lights illuminate
2. All codes will be cleared and all devices need to be relearned