

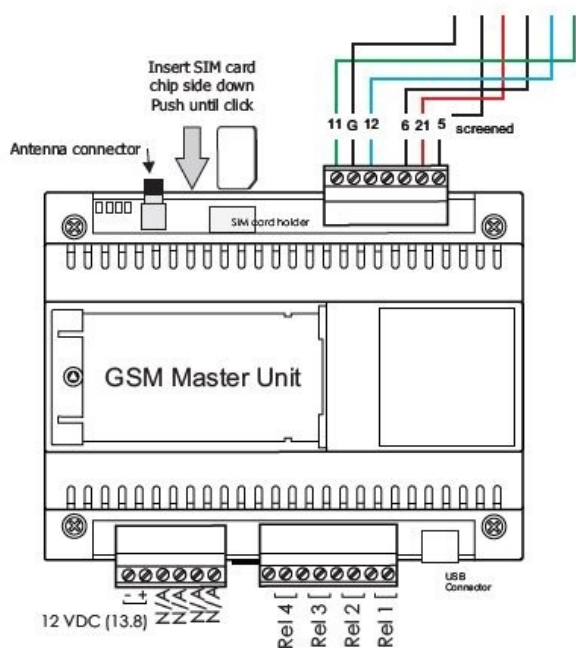
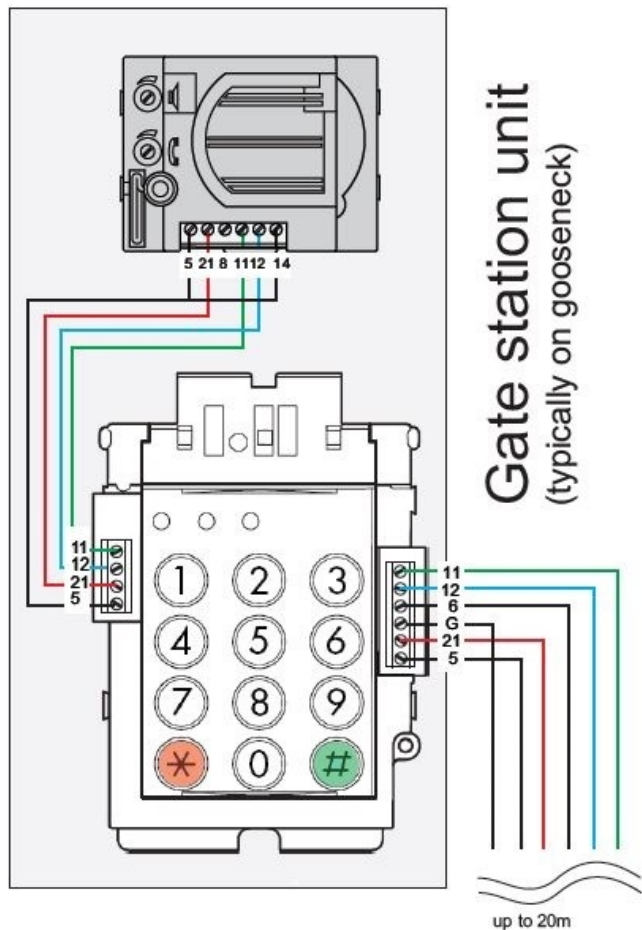
# **GSM/i10K GSM INTERCOM**

## **NEW INSTRUCTIONS**

Installation Manual

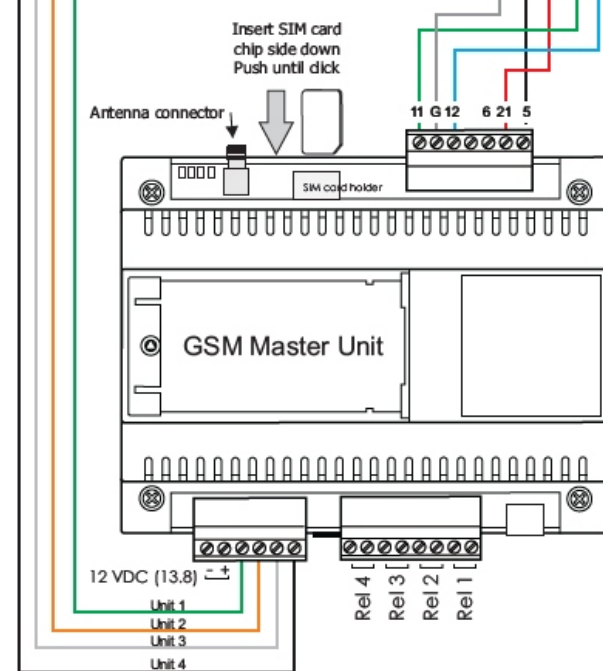
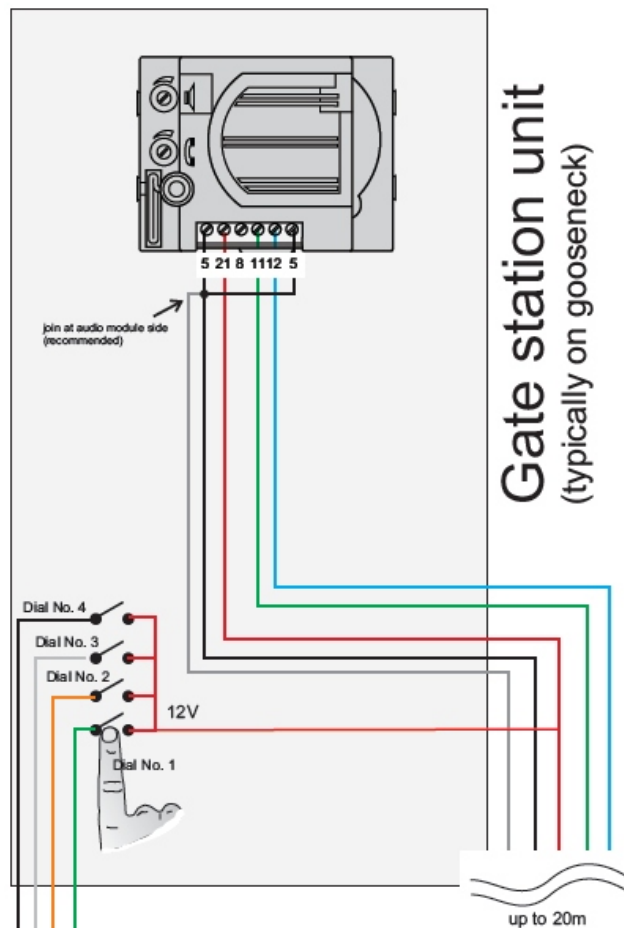
# GSM INTERCOM

Keypad



# GSM INTERCOM

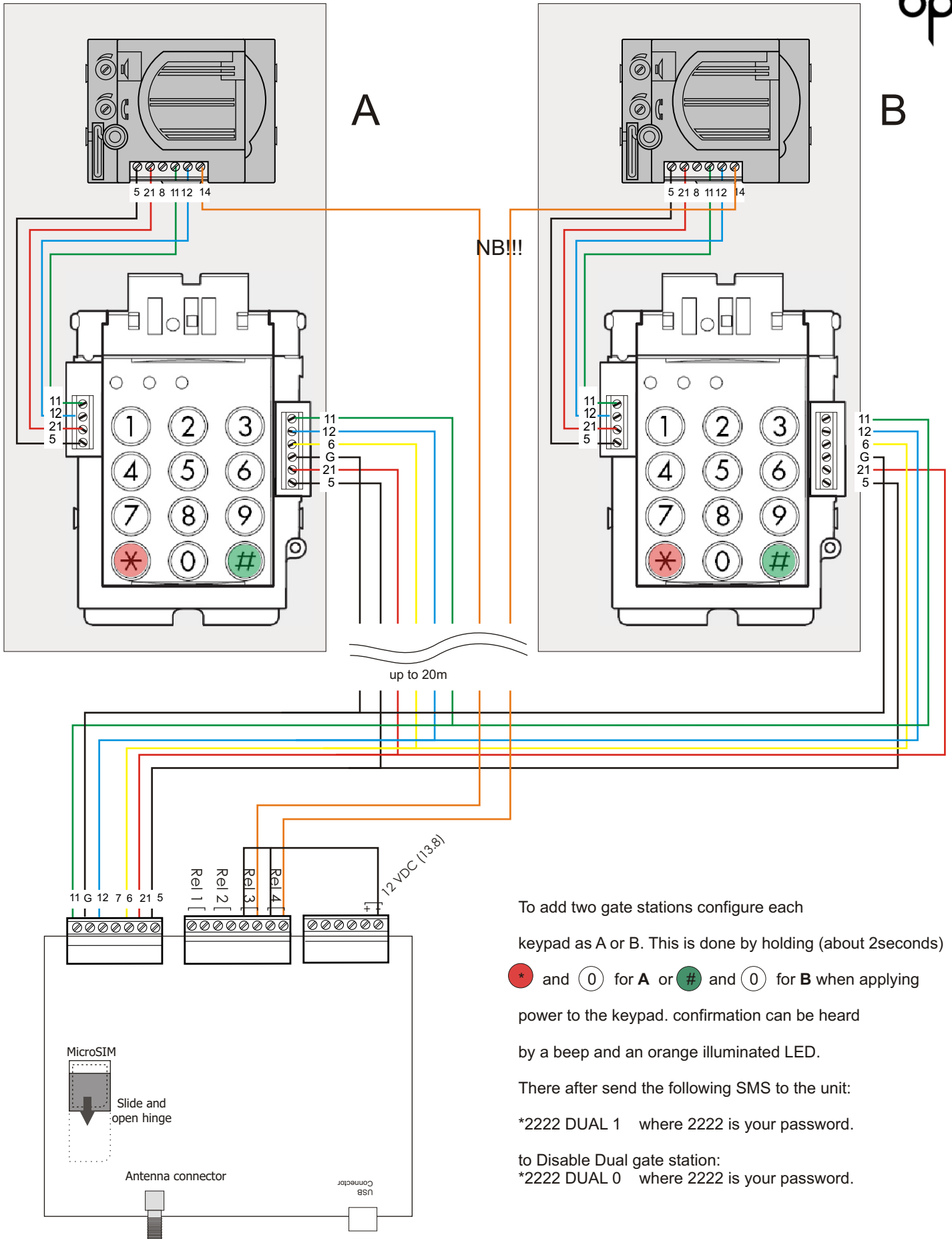
4 Button



# GSM INTERCOM

## Two gate stations

GSM/i10K



To add two gate stations configure each keypad as A or B. This is done by holding (about 2seconds) **\*** and **0** for **A** or **#** and **0** for **B** when applying power to the keypad. confirmation can be heard by a beep and an orange illuminated LED.

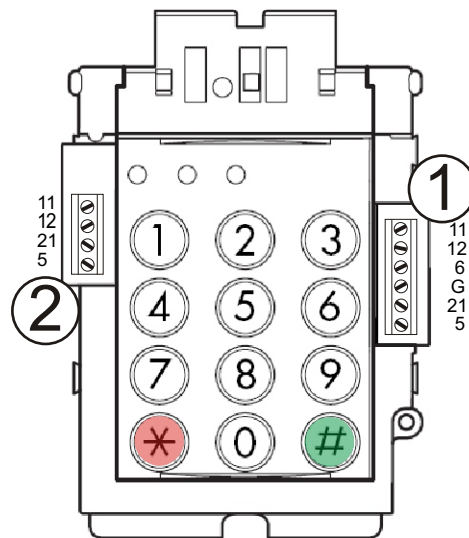
There after send the following SMS to the unit:

\*2222 DUAL 1 where 2222 is your password.

to Disable Dual gate station:

\*2222 DUAL 0 where 2222 is your password.

NOTE: All relays are normally open contacts



## Access control

The gatestation with access control module is now equipped with the ability to trigger the relays on the GSM master board by entering in a password on the keypad. This is useful in the case where entry and exit maybe be provided to home owners and guests, in addition to the missed call feature of the intercom.

## Programming access control

All passwords for access control are programmed via the keypad. Four passwords may be programmed to activate the respective four relays on the GSM master board.

1. To enter programming mode enter 1 2 3 4 5 and hold down the red \* button (1 2 3 4 5 is the default master password).
2. A beep will be heard which signifies programming mode.
3. Press numbers 1 - 4 to program the password for relays 1 - 4
4. Press the red \*
5. Enter the password (up to 8 numbers) and press the red\*
6. An acknowledgment tone will be heard.

The unit has now exited from programming mode and the programmed password may be used by pressing the password followed by the green #.

### NOTES:

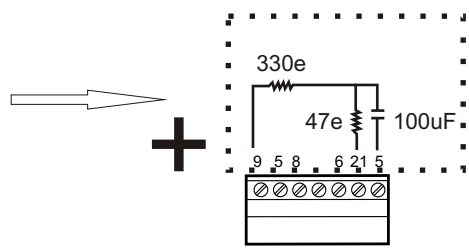
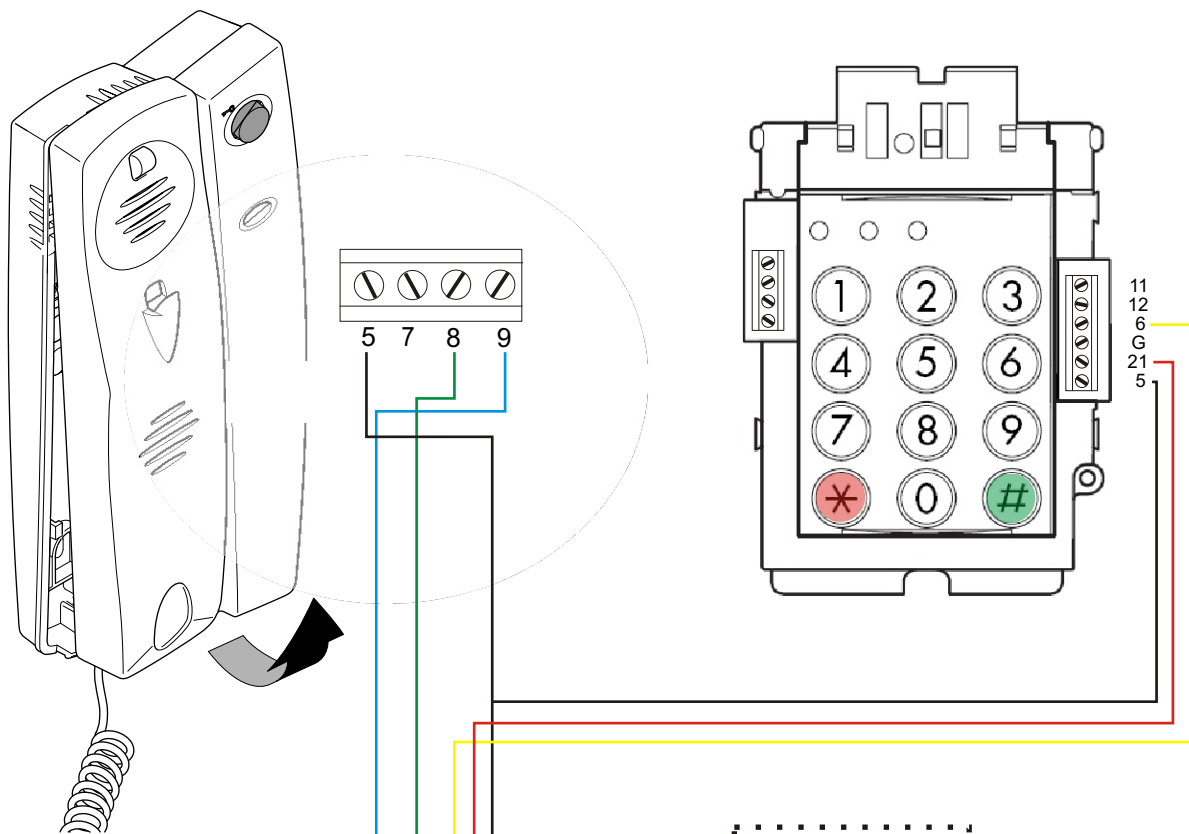
1. Password 1 is the also master password - changing this will change the programming password.
2. All numbers less than 4 characters are interpreted as a unit number, therefore choose a password of 5 numbers or more for access control.
3. If an incorrect password is entered 3 times the keypad will prevent any input for the following 20 seconds. Reactivation is indicated by a beep.
4. A single invalid tone indicates an unprogrammed unit number has been entered
5. A double invalid tone indicates an invalid access control password has been entered

### Resetting the master password:

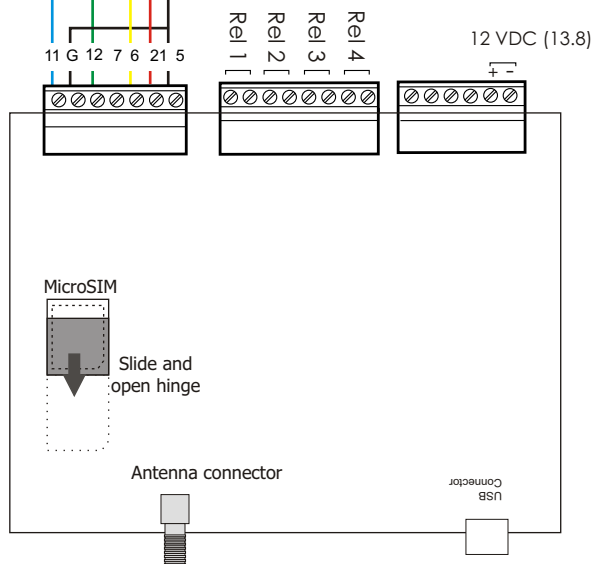
1. Hold down the numbers 1 9 while applying power until a beep is heard.
2. Enter in the new password followed by the green # button
3. Power-cycle the unit

# CONNECTING A HANDSET

GSM/i10K



Connection unit may be purchased from supplier



## Booting sequence

On power up all LEDs will be on. As the unit passes the various tests the LEDs will turn off.

Only when the green and blue LEDs are flashing slowly is the unit in the normal running state. "System ready" audio notification will be played through the gatestation.

**Please note that if the unit is connected to a computer via the USB cable, none of the SMS or dialing capabilities will work. Remove the USB cable after programming and the unit will proceed with the boot sequence.**

## Programming

The unit may be programmed via PC software through the USB port or via SMS.

The following are the structure of the SMSs for the various programming options. The default password is **2222** and must be changed. All messages start and end with a \* (asterisk)

Change password from 2222 to 7788:   **\*2222 PASS 7788**

**Add airtime:**                               **\*2222 NETW XXXXXXXXXXXX**  
where XXXXXXXXXXXX is the recharge USSD Command and voucher pin  
eg **\*2222 NETW 12345678912345#**

**Retrieve airtime available:**               **\*2222 NETW \*136#**               **(NB: No \*asterisk at the end)**

Set automatic hang-up time to 60s:       **\*2222 HANG XX\***  
XX - hangup time seconds (25 seconds default)

**Set the status number:**                   **\*2222 STAT 27821234123**

The status number will SMS'd on a weekly basis

## Adding & Calling numbers (Keypad Version)

Each unit may have two numbers associated with it. By pressing the unit number and either the \* or # dial buttons the associated number will be dialed. (# for number 1 and \* for number 2)

The GSM intercom may have up to a 4 digit number (9999 max)

The unit will give an audible message acknowledging that the call is in progress. If an unprogrammed unit is dialed, an error message will be heard.

Should the caller wish to cancel the phone call at any stage they may press either of the dial buttons to hang up.

*NB: all numbers added must contain the country code ie, 27821234123 and no +'s*

**\*2222 ADDN AAAAAAAAAA,BBBB,C,D**

AAAAAAAA - telephone number eg 27821231234

BBBB - unit number 1-9999

C - user number 1,2

D - missed call permission (1- relay1, 2 relay2)

Examples

**Add number 2 for unit 123 and allow missed call relay 1:   Add number 1 for unit 32 and allow missed call relay 2:**

**\*2222 ADDN 27821234123,123,2,1**

**\*2222 ADDN 27821234123,32,1,2**

**Remove a number:**                       **\*2222 DELN 27821234123**

**Clear telephone list:**               **\*2222 CLRN**

## Gate triggering

At any point during the conversation the home owner may key in on their keypad the number 1 or 2 or 3 or 4. This will activate one of the 4 relays at the unit respectively which will typically trigger the gate to be opened.

## Missed-call activation

The GSM unit comes equipped with a missed call function. Only programmed numbers may activate this function. When the caller phones the number of the SIM card in the GSM intercom, the unit will proceed to hang up the called and activate relay 1 and no charge to the caller.

1. Download GSMi10000 software: <https://gsmi10k.co.za./GSMi10config.EXE>.
2. Launch GSMi10000 software and connect USB Cable (**Ensure that the PCB is powered via 12 DC**).

## GSMi10000 Configuration

Select GSM Unit:  Refresh list Ver 1.0.1

Save Settings to file Load Settings from file Read Settings from unit Upload Settings to unit

System Parameters | Unit numbers | Event Report | Log | Firmware Update |

General

SMS Password

Checkin number   
Eg. 278212345678

Relay1 pulse time

Relay2 pulse time

Online mode

Call settings

Disable calling of next user

Hangup time (seconds)

The purpose of these screenshots is to help with editing or creating of new units

3. Select COM Port by clicking below box ( the COM port will appear automatically).

Select GSM Unit:  Refresh list Ver 1.0.1

Save Settings to file Load Settings from file Read Settings from unit Upload Settings to unit

System Parameters | Unit numbers | Event Report | Log | Firmware Update |

General

SMS Password

Checkin number   
Eg. 278212345678

Relay1 pulse time

Relay2 pulse time

Online mode

Call settings

Disable calling of next user

Hangup time (seconds)

Select yes if the message pops up

GSM unit found

GSM unit found, would you like to download configuration?



## 4. Very important Always Read Settings from Unit (if the pop up message from previous step doesn't appear)

GSMi10000 Configuration

Select GSM Unit:  Refresh list

Save Settings to file | Load Settings from file | **Read Settings from unit** | Upload Settings to unit

System Parameters | Unit numbers | Event Report | Log | Firmware Update

## 5. Select the "Unit numbers" tab

GSMi10000 Configuration

Select GSM Unit:  Refresh list Ver 1.0.1

Save Settings to file | Load Settings from file | **Read Settings from unit** | Upload Settings to unit

System Parameters | **Unit numbers** | Event Report | Log | Firmware Update

Add unit

Unit no.  Add to list Unit added, you may now add Users for the unit

- [-] Unit 1
- [-] Unit 2
- [-] Unit 3
- [-] Unit 4
- [-] Unit 5
- [-] Unit 6
- [-] Unit 7
- [-] Unit 9999

## 6. Creating a unit: Enter a unit number between 1 9999 which represents a house or office and Click "Add to list" tab (See below example, adding unit 100).

GSMi10000 Configuration

Select GSM Unit:  Refresh list Ver 1.0.1

Save Settings to file | Load Settings from file | Read Settings from unit | Upload Settings to unit

System Parameters | Unit numbers | Event Report | Log | Firmware Update

Add unit

Unit no.  Add to list Unit 100 already exists

**eg, Unit 100**



7. Adding a telephone number belonging to the unit: (a) Click Add user, (b) Select user number between 1 - 3. (c) Enter a telephone number starting with country code and no '+'s (eg, South Africa 27821231234), (d) click Add button.

GSMi10000 Configuration

The screenshot displays the 'GSMi10000 Configuration' software interface. At the top, there is a 'Select GSM Unit:' dropdown menu set to 'COM38 GSMI10K :1.10' and a 'Refresh list' button. Below this are four buttons: 'Save Settings to file', 'Load Settings from file', 'Read Settings from unit', and 'Upload Settings to unit'. A navigation bar includes 'System Parameters', 'Unit numbers', 'Event Report', 'Log', and 'Firmware Update'. The main area is divided into two sections. The left section, titled 'Add unit', shows 'Unit no.' as '100' and an 'Add to list' button. Below this is a tree view for 'Unit 100' with an 'Add user (a)' button highlighted in red. The right section, titled 'Selected user information', shows 'Unit number' as '100', 'User number' as '1' (with a dropdown arrow and '(b)' next to it), and 'Telephone number' as '27821231234' (with '(c)' next to it). Below these are 'Missed call permissions' for 'Pulse Relay 1' (Yes), 'Pulse Relay 2' (No), and 'Auto Answer' (No). At the bottom of the right section is an 'Add (d)' button highlighted in red. A 'Delete Selected Unit' button is located at the bottom left of the main area.

**NB: To add a second or third number in the same unit please select the relevant user number in step (b) of above example and follow step (c) and (d).**

8. To create additional units, repeat same process starting from step 6 and do the same for all the units required.

9. Click “upload settings to unit” button and wait for the “Upload complete” message as shown on the next page.

GSMi10000 Configuration Ver 1.0.1

Select GSM Unit:

System Parameters | Unit numbers | Event Report | Log | Firmware Update

Add unit

Unit no.   Unit added, you may now add Users for the unit

Unit 100

- Add user...
- User 1

Selected user information

Unit number

User number

Telephone number  eg 27821231234

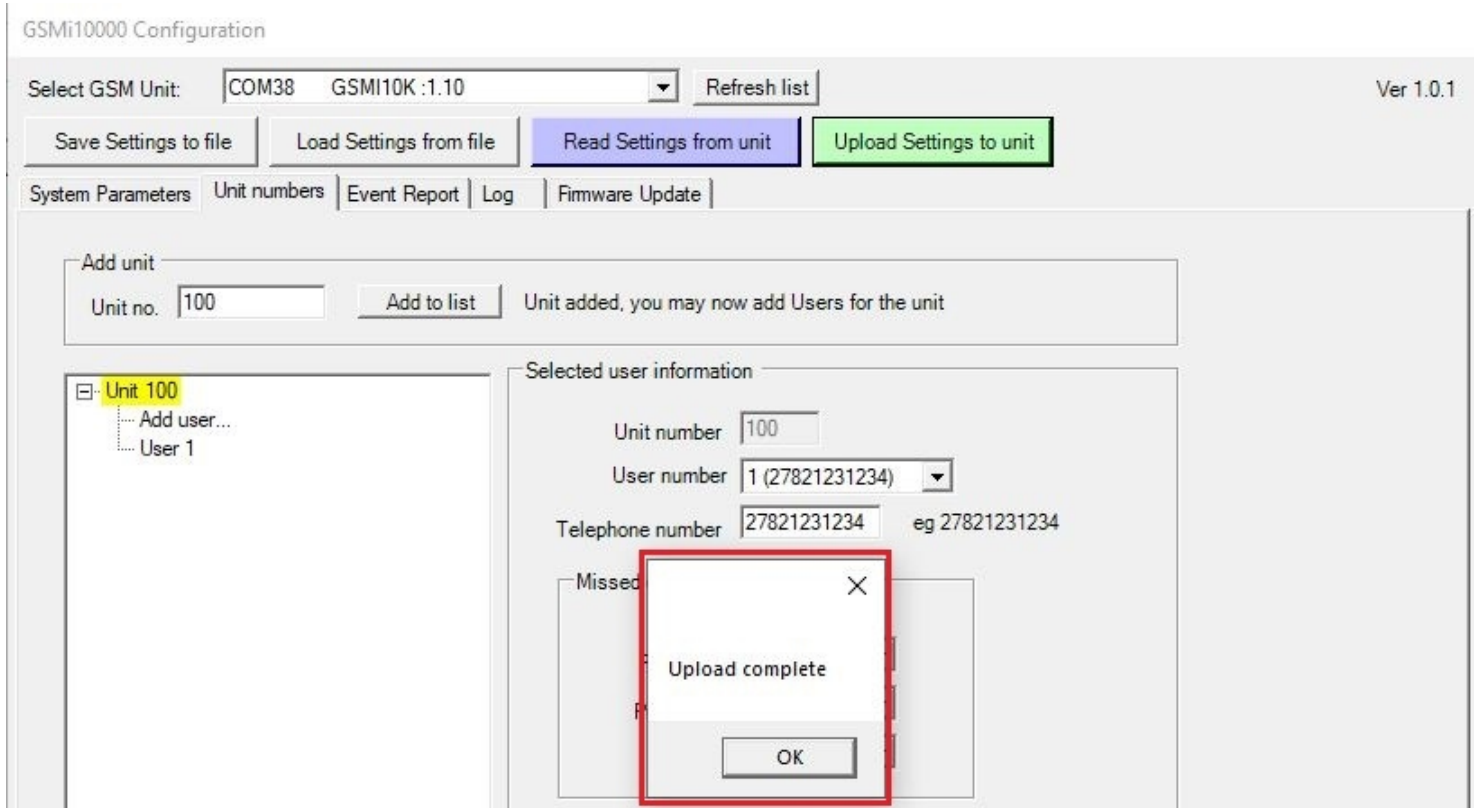
Missed call permissions

Pulse Relay1

Pulse Relay 2

Auto Answer

10. Unplug the USB cable after the below message and wait for the unit to reboot then you can start dialing from the entry panel.



## 11. Dialing the units

The # button on the keypad will dial 1<sup>st</sup> number and \* button will dial the second number, the system will divert to 3<sup>rd</sup> number if 1<sup>st</sup> & 2<sup>nd</sup> numbers don't answer. Always start with unit number followed by # or \* button.

Example: To call the 1st number of unit 100, dial 100#  
To call the 2nd number of unit 100, dial 100\*

### SIM Network selection

The system works with all network service providers.

### Very Important!

The missed call option is not automatically available with MTN Network, please contact the service provider to enable "LTE Voice Over" to access the feature.